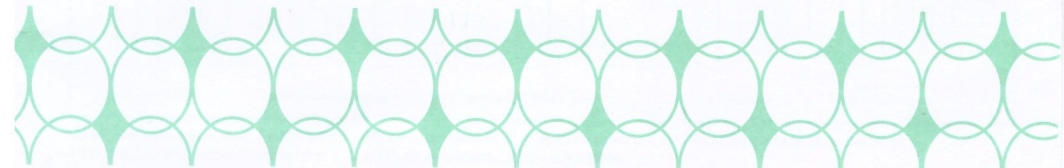




GANZER

USER MANUAL

(Mechanical Concealed Cistern)



Hidden tank installation instructions(hanging toilet)

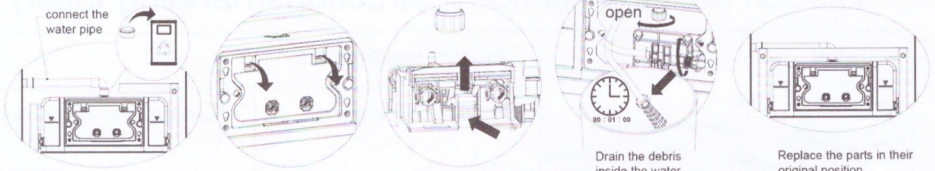
Parts List	Product specifications	
<p>Tips: Please install this product before paving tiles. Before installing, confirm the installation location and confirm the horizon after the completion of the project. Draw the horizon $\frac{1}{2}$ on the installation wall. This product is installed as a baseline $\frac{1}{2}$ for the installation height.</p>	<p>Product specifications</p> <p>Note: Slim type can be installed in the 116mm thick wall.</p>	<p>Standard type specifications</p> <p>Note: Standard type can be installed in the 135mm thick wall.</p>

Installation Steps

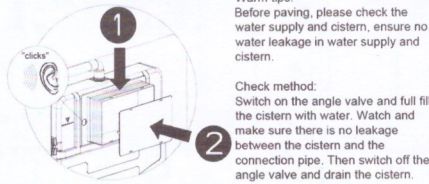
<p>1.False wall (half false wall)</p> <p> (1) the wall can be brick or gypsum board. (2) reserved for water pipes. (3) false wall installation tank location at least 520mm wide. </p>	<p>2.Adjustment before Installation</p> <p> 1 Measure the distance L 2 Install the telescopic arm Adjust the leg 3 Press the adjustment sheet, adjust the center distance to L. 4 5 assemble the toilet screw and protect cover </p>
<p>3.Install the cistern</p> <p> horizontal correction vertical correction mark the punching hole punch Ø10 hole fix the cistern assemble the toilet screw and protect cover </p>	

NOTE: the size unit is mm. \underline{L} = the floor height after the project. The fill water pressure and stop filling pressure is between 0.01MPa-2.0MPa, water temperature: 2°C-45°C, flush volume can be adjustable.

4. connect the water inlet

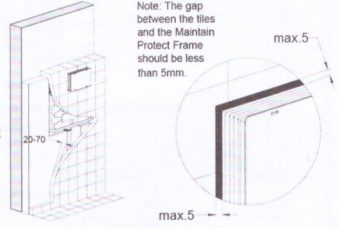


5. preparation before paved

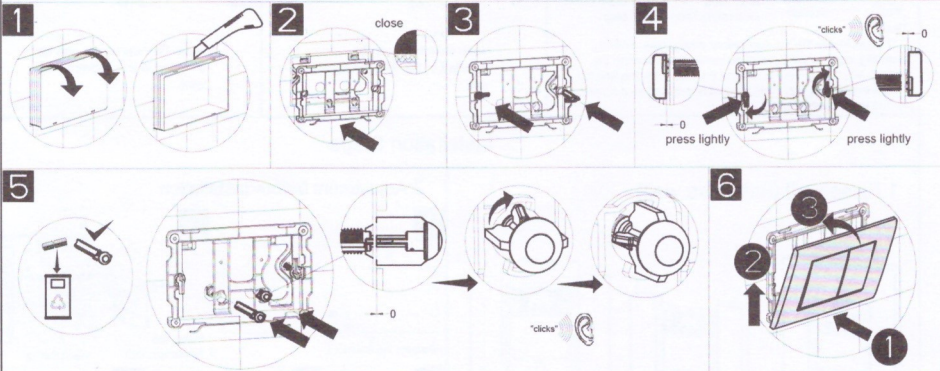


6. paved

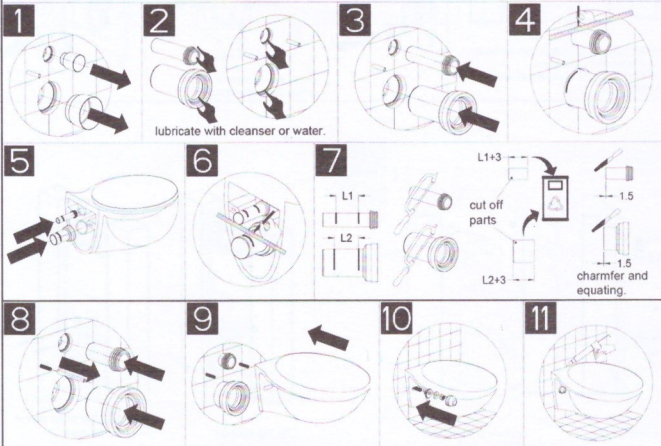
Cover the concealed system with gypsum board or composite panel, and finally pave it with tiles. Wall paving thickness: minimum 20mm and maximum 70mm.



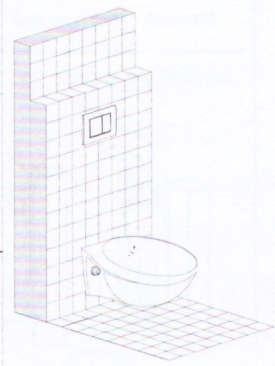
7. Install the flush plate



8. Install the toilet

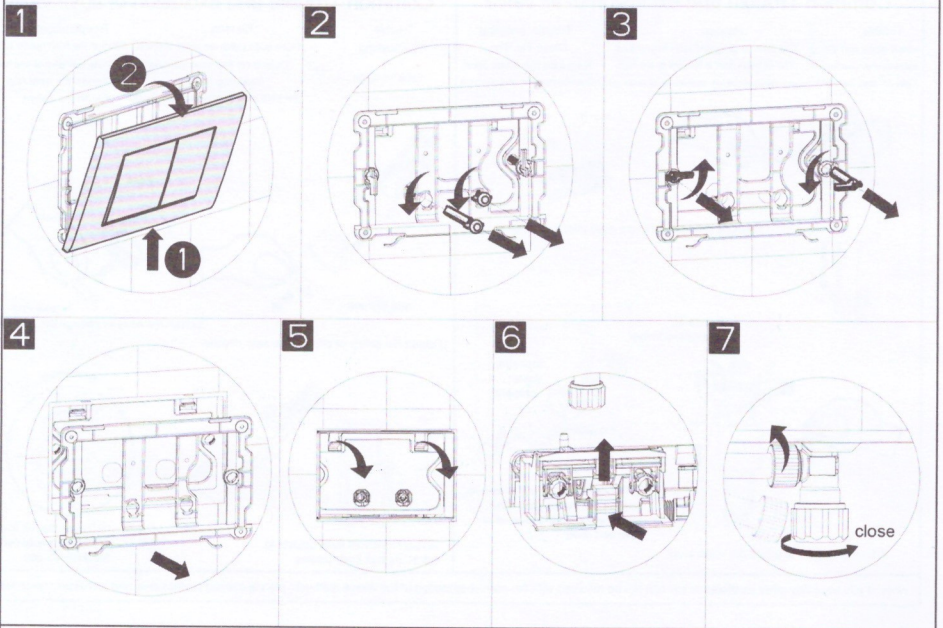


9. installation finished

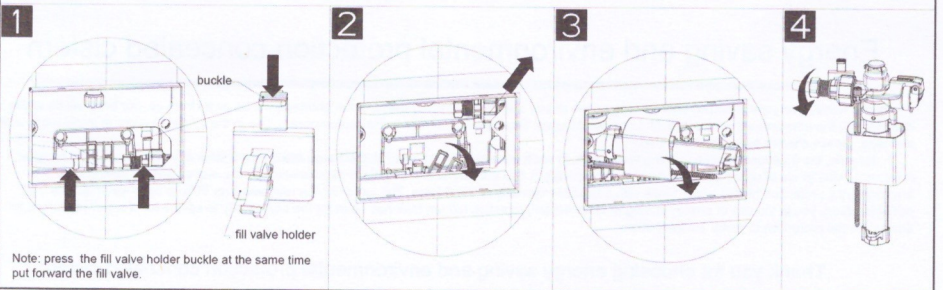


Concealed Cistern maintenance guide

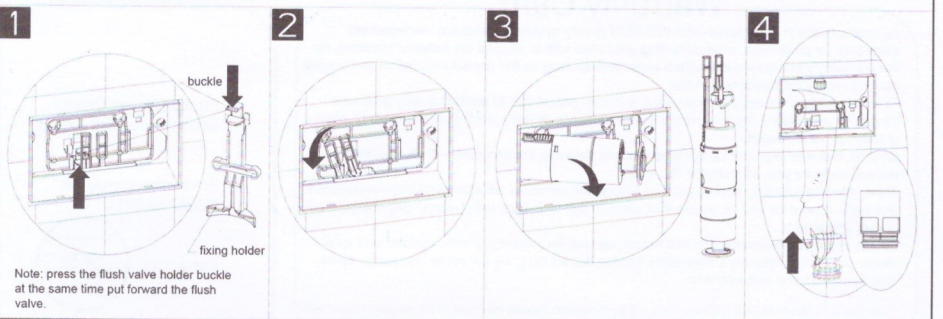
Maintain window parts disassemble



Disassemble the fill valve

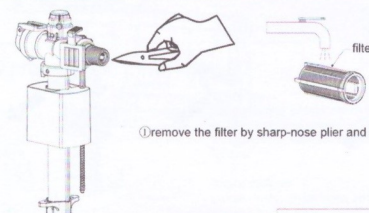
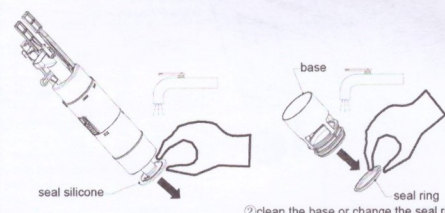
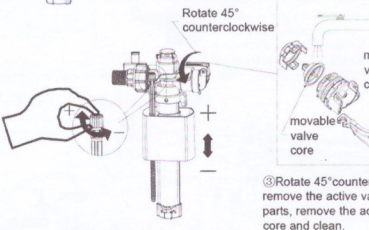
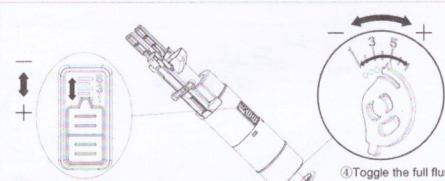


Disassemble the flush valve



Note: reversing the installation procedure is the disassembly. Before disassembling, please carefully make sure the position of each component, adjust or replace it.

Common Trouble and exclusion

Common Trouble and exclusion of fill valve			Common Trouble and exclusion of flush valve		
Trouble	Reason	Trouble shooting	Trouble	Reason	Trouble shooting
water does not filling	The filter is clogged with impurities	Clean the filter	NO flushing	Flush button stick too short or break	Change the flush button sticking
Water level is too low or too high	The fill valve float is too low or too high	Regulate the water level	Tank leakage	Debris on the seal silicone	Clean the seal silicone and base
Can not seal the water	Movable valve core blocked cause the fill valve can not seal the water	Clean the movable valve core parts		Seal ring failure	Change the seal ring
 <p>① remove the filter by sharp-nose plier and clean it</p>			 <p>① clean the debris or change the seal silicone</p> <p>② clean the base or change the seal ring</p>		
 <p>② Turn the screw to adjust the water level</p>			 <p>③ Rotate 45° counter-clockwise to remove the active valve core parts, remove the active valve core and clean.</p> <p>④ Toggle the half flush adjusts to adjust the half flush volume</p> <p>④ Toggle the full flush adjusts to adjust the full flush volume</p>		
<p>Note: If you have any other problems or still can not be resolved with the correct operation of the above methods, please consult professional and technical personnel.</p>					

Energy saving and environmental protection concealed cistern

Saving water, everyone is responsible. As long as we all pay attention to saving water, water shortage will be away from us, our lives will be stable, harmonious; the environment will be beautiful and comfortable. Saving water, power in the contemporary, Lee in the future! In order to avoid more water shortage, please cherish every drop of water!

In daily life, the traditional hidden flushing water tank, in each flushing process need to discharge more than 9 liters of water, waste a lot of water resources. After years of unremitting efforts of our company's R & D personnel and countless experiments, we developed energy saving and environmental protection hidden water tanks with adjustable capacity of 3-4.5 liters. The water saving rate was over 50% to save water as much as possible. Users who in the use of energy-saving environmental protection hidden tank has been for the community to save a lot of water resources for environmental protection to make a contribution.

Thank you for choosing energy saving and environmental protection concealed cistern

Warranty Card

All products are in accordance with ISO-9001 quality system certification management standards for production, product testing are in line with or exceed the national standard, so the company's energy-saving hidden water tank as long as the correct installation and normal use, can enjoy the following service:

First, the product warranty for five years, warranty period due to product quality problems caused by any failure, the company will give guidance or replacement parts, warranty, please produce proof of receipt.

Second, if due to improper use or other causes damage, the company will also repair or replace parts for you, only charge the cost.

Third, after the warranty period, such as failure, the company will also carry out maintenance and replacement for you, to ensure that you can use long-term satisfaction, only charge the cost of spare parts.

Fourth, when you encounter product failure, can not be resolved, please contact your local dealer or call the company's after-sales service department, we will in the shortest possible time to provide you with services.

Tips: This card should be kept properly, if lost, will be considered beyond the scope of the warranty to deal with!

certificate of qualification

Product Name: Energy saving concealed cistern

Production standards: GB26730-2011

Inspectors:

